

# KL FRESNEL 6™



**KL FRESNEL 6™** is a 150W 3,000K >95CRI Warm White LED fresnel, producing over 6,500 total lumen output, on par with compatible tungsten halogen models. Features include manual and DMX control, 15° to 38° wide manual zoom, manual and DMX controlled dimmer and shutter, dimmer and zoom rotary dials, smooth 16-bit selectable dimming modes and curves, LED refresh rate frequency adjustment for flicker free operation for TV and FILM, removable barn doors (included), RDM (remote device management) protocol support, 3/5pin DMX and IP65 Locking Power Cable in/out connections, 4 button control panel, LCD menu display, multiple unit power linking, a universal auto switching power supply (100-240v), gel frame and rotating bar doors (included), and a 3 clamp position adjustable mounting yoke.

## FEATURES

- 150W 3,000K >95CRI Warm White LED Engine
- 6,500+ Total Lumen Output
- Output On Par with Tungsten Halogen Models
- 15° to 38° Wide Manual Zoom
- Manual and DMX Controlled Dimmer and Shutter
- Dimmer and Zoom Rotary Dials
- Smooth 16-bit Selectable Dimming Modes and Curves
- LED Refresh Rate Adjustment
- Flicker Free Operation for TV and FILM
- RDM (Remote Device Management)
- Gel Frame and Rotating Barn Doors (included)
- 3 Clamp Position Adjustable Mounting Yoke



**SPECIFICATIONS**

**SOURCE**

150W >95CRI 3,000K Cool White LED  
50,000 Hour Average LED Life\*

\*May vary depending on several factors including but not limited to:  
Environmental Conditions, Power/Voltage, Usage Patterns (On-Off Cycling), Control and Dimming.

**PHOTOMETRIC DATA**

6,500+ Total Lumen Output  
17,829 LUX 1,656 FC @6.6' (2m) (Min Zoom / Full ON)  
4,412 LUX 410 FC @6.6' (2m) (Max Zoom / Full ON)  
Zoom Range 15° - 38°  
Beam Angle 15.5° - 38°  
Field Angle 23.4° - 51.8°

**EFFECTS**

Manual Zoom  
Electronic Dimmer and Strobe  
Variable 16-bit Dimming Modes and Curves

**COLOR**

Warm White 3,000K

**CONTROL / CONNECTIONS**

Manual and DMX Controlled Dimmer and Shutter  
Dimmer and Zoom Rotary Dials  
(5) DMX Channel Modes (1 / 2 / 3 / 4 / 5)  
4 Button Control Panel LCD Menu Display  
RDM (Remote Device Management)  
3/5pin DMX and IP65 Locking Power Cable In/Out  
With Wired Digital Communication Network

**SIZE / WEIGHT**

Length: 19.62" (498.5mm)  
Width: 10.75" (273mm)  
Vertical Height: 15.47" (393mm)  
Weight: 18.5 lbs. (8.4kg)

**ELECTRICAL / THERMAL**

AC 100-240V - 50/60Hz  
180W Max Power Consumption  
5°F to 113°F (-15°C to 45°C)  
Power Linking: 6Pcs @ 110V / 14Pcs @ 240V

**INCLUDED ITEMS**

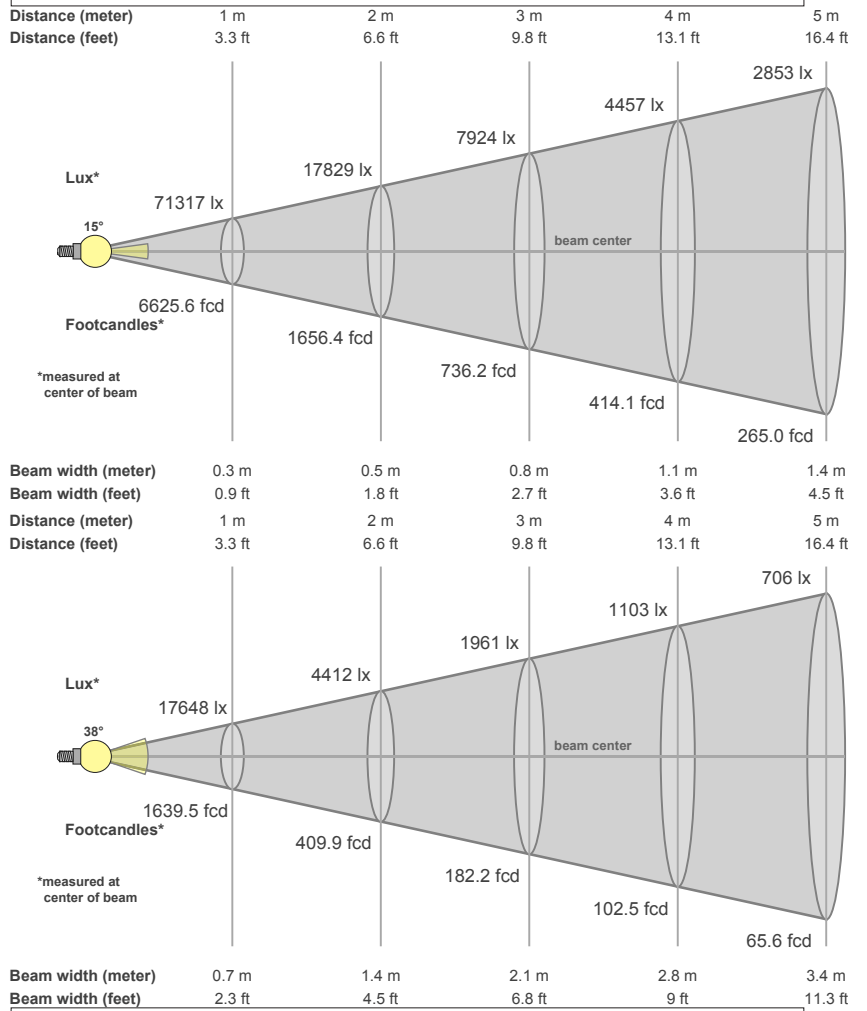
Gel Frame and Rotating Barn Doors  
IP65 Locking Power Cable  
Barn Doors

**APPROVALS / RATINGS**

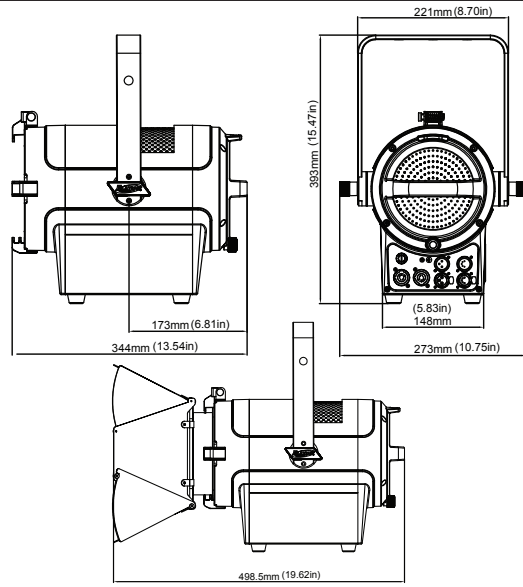
CE | cETLus | IP30



**PHOTOMETRIC DATA**



**DIMENSIONAL DIAGRAMS**



**ORDERING INFORMATION**

<b>KLF012</b>	KL FRESNEL 6
<b>TRIGGER CLAMP</b>	Heavy Duty Wrap Around Hook Style Clamp
<b>AC5PDMX5PRO</b>	5 ft. (1.5m) 5pin PRO DMX Cable (Additional cable lengths available)
<b>NEU088</b>	3 ft. (1m) Locking Power Link Cable (Additional cable lengths available)



Specifications subject to change without notice ©Elation Professional 10/27/20

Elation Professional USA | 6122 S. Eastern Ave. | Los Angeles, CA. 90040  
323-582-3322 | 323-832-9142 fax | www.elationlighting.com | info@elationlighting.com

Elation Professional B.V. | Junostraat 2 | 6468 EW Kerkrade, The Netherlands  
+31 45 546 85 66 | +31 45 546 85 96 fax | www.elationlighting.eu | info@elationlighting.eu