



ARTISTETM
REMBRANDT
user manual

©2020 ELATION PROFESSIONAL all rights reserved. Information, specifications, diagrams, images, and instructions herein are subject to change without notice. ELATION PROFESSIONAL logo and identifying product names and numbers herein are trademarks of ELATION PROFESSIONAL. Copyright protection claimed includes all forms and matters of copyrightable materials and information now allowed by statutory or judicial law or hereinafter granted. Product names used in this document may be trademarks or registered trademarks of their respective companies and are hereby acknowledged. All non-ELATION brands and product names are trademarks or registered trademarks of their respective companies.

ELATION PROFESSIONAL and all affiliated companies hereby disclaim any and all liabilities for property, equipment, building, and electrical damages, injuries to any persons, and direct or indirect economic loss associated with the use or reliance of any information contained within this document, and/or as a result of the improper, unsafe, insufficient and negligent assembly, installation, rigging, and operation of this product.

Elation Professional USA | 6122 S. Eastern Ave. | Los Angeles, CA. 90040
323-582-3322 | 323-832-9142 fax | www.elationlighting.com | info@elationlighting.com

Elation Professional B.V. | Junostraat 2 | 6468 EW Kerkrade, The Netherlands
+31 45 546 85 66 | +31 45 546 85 96 fax | www.elationlighting.eu | info@elationlighting.eu

Elation Professional Mexico | AV Santa Ana 30 | Parque Industrial Lerma, Lerma, Mexico 52000
+52 (728) 282-7070

DOCUMENT VERSION



Due to additional product features and/or enhancements, an updated version of this document may be available online. Please scan the QR Code with your mobile device or visit www.elationlighting.com for the latest revision/update of this manual, before installation and/or programming.

Date	Document Version	Software Version \geq	DMX Channel Modes	Notes
03/03/20	1.0	1.1.1	35 / 59	Initial release.
06/25/20	1.1	N/C	NO CHANGE	Updated thermal
08/03/20	1.2	N/C	NO CHANGE	Updated specifications
10/06/20	1.3	N/C	NO CHANGE	Updated specifications

CONTENTS

General Information	4
Warranty Returns (USA Only)	5
Safety Guidelines	6
Maintenance Guidelines	8
Fixture Overview	9
Colors & Animation Wheel	11
SpectraColor Guide	12
Fan Modes and Low Noise Operation	13
Lens Installation / Replacement	14
Installation Guidelines	15
System Menu	18
DMX Channel Functions and Values	26
Error Codes	35
Specifications	36
Dimensional Drawings	37
Optional Accessories	39

GENERAL INFORMATION

INTRODUCTION

Please read and understand the instructions in this manual carefully and thoroughly before attempting to operate this device. These instructions contain important safety and use information.

UNPACKING

Every device has been thoroughly tested and has been shipped in perfect operating condition. Carefully check the shipping carton for damage that may have occurred during shipping. If the carton is damaged, carefully inspect the device for damage, and be sure all accessories necessary to install and operate the device have arrived intact. In the event damage has been found or parts are missing, please contact our customer support team for further instructions. Please do not return this device to your dealer without first contacting customer support. Please do not discard the shipping carton in the trash. Please recycle whenever possible.

BOX CONTENTS

Fresnel Lens (installed)
Omega Brackets (x2)
Locking Power Cable

CUSTOMER SUPPORT

Contact **ELATION Service** for any product related service and support needs. Also visit forums.elationlighting.com with questions, comments or suggestions.

ELATION SERVICE USA - Monday - Friday 8:00am to 4:30pm PST
323-582-3322 | Fax 323-832-9142 | support@elationlighting.com

ELATION SERVICE EUROPE - Monday - Friday 08:30 to 17:00 CET
+31 45 546 85 63 | Fax +31 45 546 85 96 | support@elationlighting.eu

REPLACEMENT PARTS please visit parts.elationlighting.com



IMPORTANT NOTICE!

THERE ARE NO USER SERVICEABLE PARTS INSIDE THIS UNIT.

DO NOT ATTEMPT ANY REPAIRS YOURSELF; DOING SO WILL VOID YOUR MANUFACTURES WARRANTY. DAMAGES RESULTING FROM MODIFICATIONS TO THIS FIXTURE AND/OR THE DISREGARD OF SAFETY INSTRUCTIONS AND GUIDELINES IN THIS MANUAL VOID THE MANUFACTURES WARRANTY AND ARE NOT SUBJECT TO ANY WARRANTY CLAIMS AND/OR REPAIRS.

LIMITED WARRANTY (USA ONLY)

A. Elation Professional hereby warrants, to the original purchaser, Elation Professional products to be free of manufacturing defects in material and workmanship for a period of two years (730 days), and Elation Professional product rechargeable batteries to be free of manufacturing defects in material and workmanship for a period of six months (180 days), from the original date of purchase. This warranty excludes discharge lamps and all product accessories. This warranty shall be valid only if the product is purchased within the United States of America, including possessions and territories. It is the owner's responsibility to establish the date and place of purchase by acceptable evidence, at the time service is sought. B. For warranty service, send the product only to the Elation Professional factory. All shipping charges must be pre-paid. If the requested repairs or service (including parts replacement) are within the terms of this warranty, Elation Professional will pay return shipping charges only to a designated point within the United States. If any product is sent, it must be shipped in its original package and packaging material. No accessories should be shipped with the product. If any accessories are shipped with the product, Elation Professional shall have no liability what-so-ever for loss and/or or damage to any such accessories, nor for the safe return thereof. C. This warranty is void if the product serial number and/or labels are altered or removed; if the product is modified in any manner which Elation Professional concludes, after inspection, affects the reliability of the product; if the product has been repaired or serviced by anyone other than the Elation Professional factory unless prior written authorization was issued to purchaser by Elation Professional; if the product is damaged because not properly maintained as set forth in the product instructions, guidelines and/or user manual. D. This is not a service contract, and this warranty does not include any maintenance, cleaning or periodic check-up. During the periods as specified above, Elation Professional will replace defective parts at its expense, and will absorb all expenses for warranty service and repair labor by reason of defects in material or workmanship. The sole responsibility of Elation Professional under this warranty shall be limited to the repair of the product, or replacement thereof, including parts, at the sole discretion of Elation Professional. All products covered by this warranty were manufactured after January 1, 1990, and bare identifying marks to that effect. E. Elation Professional reserves the right to make changes in design and/or performance improvements upon its products without any obligation to include these changes in any products theretofore manufactured. F. No warranty, whether expressed or implied, is given or made with respect to any accessory supplied with the products described above. Except to the extent prohibited by applicable law, all implied warranties made by Elation Professional in connection with this product, including warranties of merchantability or fitness, are limited in duration to the warranty periods set forth above. And no warranties, whether expressed or implied, including warranties of merchantability or fitness, shall apply to this product after said periods have expired. The consumer's and/or dealer's sole remedy shall be such repair or replacement as is expressly provided above; and under no circumstances shall Elation Professional be liable for any loss and/or damage, direct and/or consequential, arising out of the use of, and/or the inability to use, this product. G. This warranty is the only written warranty applicable to Elation Professional products and supersedes all prior warranties and written descriptions of warranty terms and conditions heretofore published.

WARRANTY RETURNS

All returned service items whether under warranty or not, must be freight pre-paid and accompany a return authorization (R.A.) number. The R.A. number must be clearly written on the outside of the return package. A brief description of the problem as well as the R.A. number must also be written down on a piece of paper and included in the shipping container. If the unit is under warranty, you must provide a copy of your proof of purchase invoice. Items returned without a R.A. number clearly marked on the outside of the package will be refused and returned at customer's expense. You may obtain a R.A. number by contacting customer support.

SAFETY GUIDELINE

This fixture is a sophisticated piece of electronic equipment. To guarantee a smooth operation, it is important to follow all instructions and guidelines in this manual. Elation Professional is not responsible for injury and/or damages resulting from the misuse of this fixture due to the disregard of the information printed in this manual. Only qualified and/or certified personnel should perform installation of this fixture and only the original rigging parts (omega brackets) included with this fixture should be used for installation. Any modifications to the fixture and/or the included mounting hardware will void the original manufactures warranty and increase the risk of damage and/or personal injury.



PROTECTION CLASS 1 - FIXTURE MUST BE PROPERLY GROUNDED



**THERE ARE NO USER SERVICEABLE PARTS INSIDE THIS UNIT.
DO NOT ATTEMPT ANY REPAIRS YOURSELF; DOING SO WILL VOID YOUR
MANUFACTURES WARRANTY. DAMAGES RESULTING FROM
MODIFICATIONS TO THIS FIXTURE AND/OR THE DISREGARD OF SAFETY
INSTRUCTIONS AND GUIDELINES IN THIS MANUAL VOID THE
MANUFACTURES WARRANTY AND ARE NOT SUBJECT TO ANY WARRANTY
CLAIMS AND/OR REPAIRS.**



**DO NOT PLUG FIXTURE INTO A DIMMER PACK!
NEVER OPEN THIS FIXTURE WHILE IN USE!
UNPLUG POWER BEFORE SERVICING FIXTURE!
NEVER TOUCH FIXTURE DURING OPERATION, AS IT MAY BE HOT!
KEEP FLAMMABLE MATERIALS AWAY FROM FIXTURE!**



**NEVER LOOK DIRECTLY INTO THE LIGHT SOURCE!
RETINA INJURY RISK - MAY INDUCE BLINDNESS!
SENSITIVE PERSONS MAY SUFFER AN EPILEPTIC SHOCK!**




**INDOOR / DRY LOCATIONS USE ONLY!
DO NOT EXPOSE FIXTURE TO RAIN AND MOISTURE!**



**MINIMUM DISTANCE TO OBJECTS/SURFACES
MUST BE 6.6 FEET (2 METERS)
MAXIMUM TEMP OF EXTERNAL SURFACE 185° F (85°C)
MINIMUM DISTANCE OF INFLAMMABLE MATERIALS
FROM THE SURFACE 1.6 FEET (0.5 METER)**

SAFETY GUIDELINES

 <p>104.7 lbs. (47.5kg)</p>	<h2>WARNING</h2> <h3>TWO PERSON LIFT REQUIRED</h3>
--	--

CAUTION

HIGH INTENSITY ULTRAVIOLET LIGHT



AVOID DIRECT EYE & SKIN EXPOSURE.
WEAR PROPER EYE & SKIN PROTECTION.
SEE MANUAL FOR SAFETY INSTRUCTIONS.

RISK GROUP 3 - RISK OF EXPOSURE TO ULTRAVIOLET UV RADIATION! FIXTURE EMITS HIGH INTENSITY WAVELENGTH OF ULTRAVIOLET UV LIGHT FROM THE UV COLOR FILTER. WEAR PROPER EYE AND SKIN PROTECTION. AVOID PROLONGED PERIODS OF EXPOSURE TO UV COLOR FILTER. AVOID WEARING WHITE COLOR CLOTHING AND/OR USING UV PAINTS ON SKIN. AVOID DIRECT EYE AND/OR SKIN EXPOSURE AT DISTANCES LESS THAN 11 feet (3.3m). DO NOT OPERATE FIXTURE WITH DAMAGED/MISSING EXTERNAL COVERS. DO NOT LOOK DIRECTLY INTO THE UV LIGHT AND/OR VIEW UV LIGHT DIRECTLY WITH OPTICAL INSTRUMENTS THAT MAY CONCENTRATE THE LIGHT/RADIATION OUTPUT. INDIVIDUALS

SUFFERING FROM A RANGE OF EYE CONDITIONS, SUNLIGHT EXPOSURE DIS-ORDERS, OR INDIVIDUALS USING PHOTSENSITIVE MEDICATION, MAY RECEIVE DISCOMFORT IF EXPOSED TO THE ULTRAVIOLET UV LIGHT EMITTED FROM THE UV LED.

DO NOT TOUCH the fixture housing during operation. Turn OFF the power and allow approximately 15 minutes for the fixture to cool down before serving.

DO NOT shake fixture, avoid brute force when installing and/or operating fixture.

DO NOT operate fixture if the power cord is frayed, crimped, damaged and/or if any of the power cord connectors are damaged and do not insert into the fixture securely with ease. **NEVER** force a power cord connector into the fixture. If the power cord or any of its connectors are damaged, replace it immediately with a new one of similar power rating.

DO NOT block any air ventilation slots.

All fan and air inlets must remain clean and never blocked.

Allow approx. 6" (15cm) between fixture and other devices or a wall for proper cooling.

When installing fixture in a suspended environment, always use mounting hardware that is no less than M10 x 25 mm, and always install fixture with an appropriately rated safety cable.

Always disconnect fixture from main power source before performing any type of service and/or cleaning procedure. Only handle the power cord by the plug end, never pull out the plug by tugging the wire portion of the cord.

During the initial operation of this fixture, a light smoke or smell may emit from the interior of the fixture. This is a normal process and is caused by excess paint in the interior of the casing burning off from the heat associated with the lamp and will decrease gradually over time.

Consistent operational breaks will ensure fixture will function properly for many years.

MAINTENANCE GUIDELINES



DISCONNECT POWER BEFORE PERFORMING ANY MAINTENANCE!

CLEANING

Frequent cleaning is recommended to insure proper function, optimized light output, and an extended life. The frequency of cleaning depends on the environment in which the fixture operates: damp, smoky or particularly dirty environments can cause greater accumulation of dirt on the fixture's optics. Clean the external lens surface at least every 20 days with a soft cloth to avoid dirt/debris accumulation.

NEVER use alcohol, solvents, or ammonia-based cleaners.

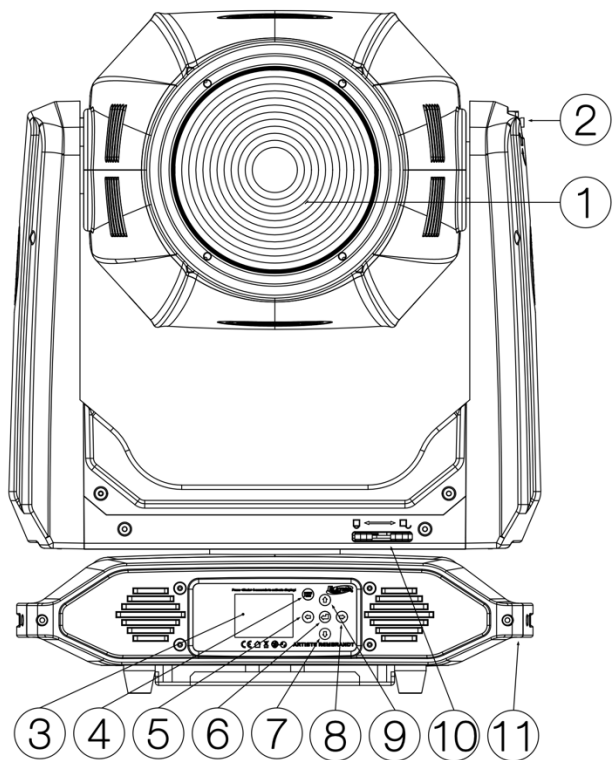
MAINTENANCE

Regular inspections are recommended to insure proper function and extended life. There are no user serviceable parts inside this fixture, please refer all other service issues to an authorized Elation service technician. Should you need any spare parts, please order genuine parts from your local Elation dealer.

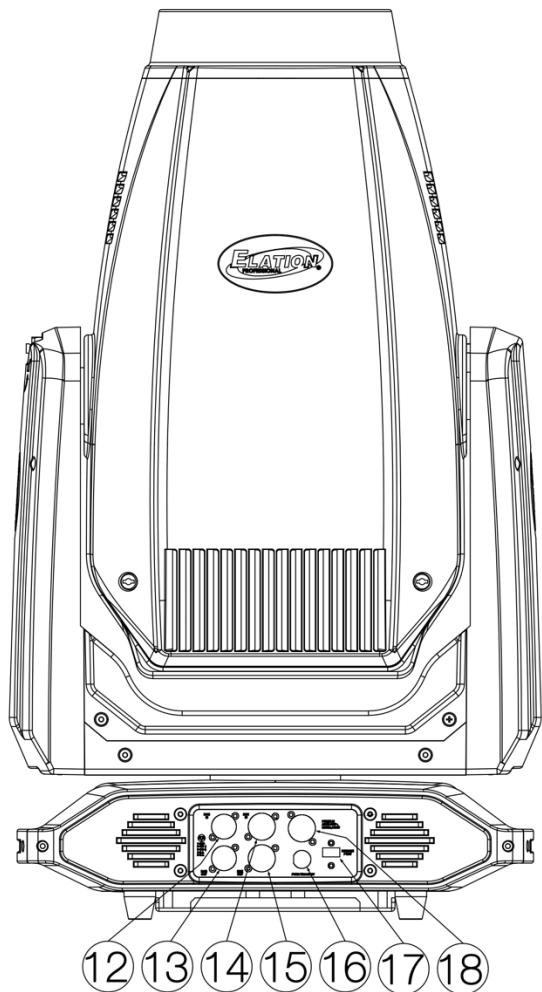
Please refer to the following points during routine inspections:

- A detailed electric check by an approved electrical engineer every three months, to make sure the circuit contacts are in good condition and prevent overheating.
- Be sure all screws and fasteners are securely tightened at all times. Loose screws may fall out during normal operation resulting in damage or injury as larger parts could fall. Check for any deformations on the housing, color lenses, rigging hardware and rigging points (ceiling, suspension, trussing). Deformations in the housing could allow for dust to enter into the fixture. Damaged rigging points or unsecured rigging could cause the fixture to fall and seriously injure a person(s).
- Electric power supply cables must not show any damage, material fatigue or sediments. **NEVER** remove the ground prong from the power cable.

FIXTURE OVERVIEW



1. Lens (Fresnel Lens included, optional PC Lens available)
2. Tilt Lock
3. System Menu Display
4. MODE/ESC Button
5. LEFT Button
6. ENTER Button
7. DOWN Button
8. RIGHT Button
9. UP Button
10. PAN Lock
11. Carrying Handle(s)



12. RJ45 Input/Output
13. 5pin DMX Output
14. 5pin DMX Input
15. Service Port
16. Fuse
17. Service Port
18. IP65 Locking Power Input

FIXTURE OVERVIEW

Features

- High Efficiency 950W 6,500K White LED Engine
- Hotspot Engine for Optimized Wash Field / High Center Intensity
- Up to 51,000 Total Lumen Fixture Output
- SpectraColor CMYRGB Array and Variable Linear CTO
- 6-Position Color Wheel, High CRI, UV Filter
- Wash Beam Animation Array with 2 Independent Wheels
- Dual Variable Frost
- Full Blackout Framing System with 360° Continuous Index and Rotation of Shapes
- 9:1 Zoom Range from 11° to 65° Large 180mm Fresnel lens
- 9:1 Zoom Range from 10° to 75° Large 180mm PC lens (optional)
- Optional Pebble Convex (Stipple PC) Lens
- DMX Controllable Variable Fan Modes / Low Noise Operation

Zoom / Focus Optimization

The Artiste Rembrandt utilizes a zoom and focus lens to control the beam. For highest efficiency, the fixture contains an algorithm that automatically adjusts the focus lens to its ideal position in relationship to the zoom lens.

Note! The correct lens type (Fresnel or PC) must be selected in the menu, or via the DMX control channel to ensure that the focus lens is positioned for the highest output.

To use the Zoom optimization, set the focus channel between DMX 0 to 10. This will ensure the fixture performs at its best with the highest output and optimal field. Taking over focus control, for example to adjust the sharpness of the animation wheels or internal framing module, simply set the focus channel within its normal range from DMX 11 to 255. All optimizations are disabled. Do not forget to set the focus back to the Optimization range when the effect is removed from the beam; otherwise, the Rembrandt could lose more than 30% of its output. It is advised to create a console preset of the focus @ DMX 0, a setting that is easily accessible. Not setting the focus to the optimization (e.g. having a console default of 127 / 50%) will greatly reduce the light output of the fixture and result in poor performance. Please ensure console profiles are correctly defined with focus default @ 0.

Zoom Overdrive

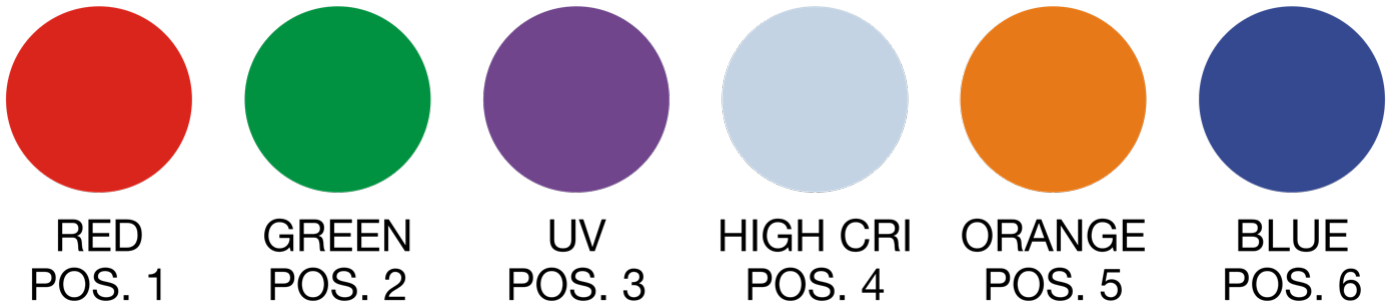
The Artiste Rembrandt allows the zoom lens to go past its optimal narrow position, thus “overdriving” it. Although this creates a slightly smaller beam, its efficiency is reduced. As the fixture may lose a bit of output when moved into the zoom overdrive range, it is mapped to the DMX range of 0 to 20; however, despite this reduced output, the resulting column of light, especially using the PC lens, is a useful effect. The overdrive range is provided as a simple way for the operator to know the ideal zoom range for maximum efficiency.

COLORS & ANIMATION WHEEL

COLOR FLAGS

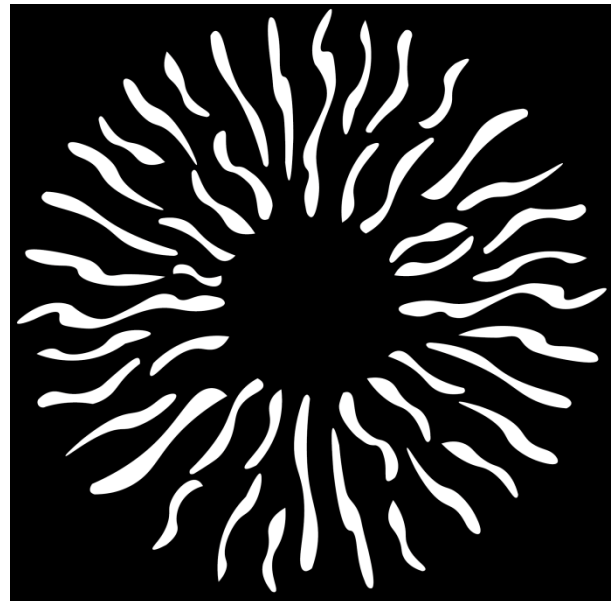
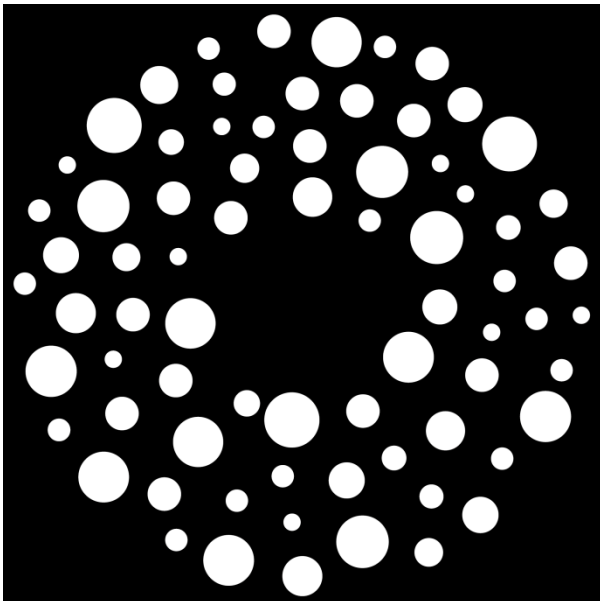


COLOR WHEEL



BI-DIRECTIONAL ANIMATION WHEEL

The Artiste Rembrandt incorporates an innovative wash texture concept that gives the designer new tools to wash stages while providing soft textures and depth. Two animation wheels, one **Dot** and one **Radial**, allow for independent directional motion, including overlapping and counter-rotating motion effects that are unique to the fixture. Using the focus control, the beams can be fuzzy and soft to create subtle depth in the wash field, or well-defined for powerful animation projection, or mid-air beam effects. Interesting effects can be created by overlapping both wheels and using different rotation speeds, or counter-rotating the wheel.



SPECTRACOLOR GUIDE

The Rembrandt's innovative SpectraColor system combines the established and well known CMY / CTO controls with three Pure RGB flags that are seamlessly adjustable. These flags greatly enhance the possible color range of the Rembrandt for some truly outstanding colors that can be difficult to achieve with only CMY controls.

It is highly recommend that the technician become familiar with this unique color system to fully unlock the creative potential of the SpectraColor array.

Cyan, Magenta and Yellow saturation chosen for a wide color range and are aligned with other colors in the Artiste range. CMY is a subtractive color mix that removes certain colors from the light to create the desired color. Flags can be combined in any saturation to create a wide range of mixed colors.

RGB are "pure" color points chosen for best saturation. These are also subtractive, e.g. adding the Red flag will remove all other wavelengths. While it is possible to overlap the RGB colors, it will eventually black-out the fixture as all colors essentially reduce until there is no output. On consoles they should be shown as Pure Red, Pure Green, and Pure Blue. This is done so console color pickers do not interact with the RGB flags. All color flags must default to 0% in the console profiles.

Mixing CMY colors is identical to many other fixtures in the market. CMY colors can combine with the CTO to create a warmer array of colors. Overall, the behavior of the CMY system should feel familiar, and with the high intensity of the Rembrandt, all colors are brilliant and powerful.

The CTO filter is designed to adjust the Rembrandt from its native color temperature of 6500K to 2700K. Full CTO in combination with Cyan Magenta or Yellow allow for a warmer color palette. For example, Yellow shifts from a slightly greenish tone to a warm amber yellow. Utilizing the adjustable CTO with the CMY system greatly enhances the color range of the Rembrandt.

Using Pure Colors

Pure Red, Green, or Blue are ideal colors to create subtle hues to saturated colors. Mixing a slight blue shifts the Rembrandt from White over CTB, over light to medium purples, until it reaches a rich Medium Blue. Using Green allows for teals and green tints similar to fluorescent fixtures until it transitions into a bright medium green. These color tones make the Rembrandt an ideal tool for theater and opera designers as the SpectraColor system allows the replication of many color spectrums associated with unique light sources like metal halide, sodium vapor, or fluorescent tubes, all out of one fixture.

Creating Color Mixes Using SpectraColor

CMY and RGB flags can be combined to widen the color gamut of the CMY mix. Start with a slight to saturated CMY color, then add a little Red, Green, or Blue to change the hue. Never use RGB together, only one of those colors at a time will be useful. Otherwise the fixture will only get darker as overlapping RGB acts like a dim to black.

Perceived Color Brightness

Please be aware that due to the very high intensity of the Rembrandt, the CMY colors may not look fully saturated, especially when placed next to a lower intensity fixture. This is misleading as your eye cannot handle the high intensity well, and colors that are in fact identical may appear different to your eye. To confirm, simply dim-down the Rembrandt to match the output level of a comparison fixture. You should find color appearing more saturated, even though nothing has changed on the color itself. Reducing the output helps your eye to see the color better.

FAN MODES and LOW NOISE OPERATION

The Artiste Rembrandt is a high-performance fixture suited for many applications. For noise critical environments like Theater, Opera or Orchestra Halls, it offers various operation modes to remove any distraction for the audience and performers. Modes can be changed remotely via the DMX control channel, allowing the fixture to offer high output or whisper silent operation at a moment's notice. All modes smoothly transition over a brief period, preventing unwanted attraction to the fixture.

Mode	dbA at 1m LED off	dbA at 1m Dimmer 100%
	Ambient Noise Level 31 dbA	
Fan Control - Auto (Default)	39	47
Fan Control - Low	37	42
Fan Control - High	40	55
Low Noise - Mute	31	31
Low Noise - Studio	34	37

Fan Modes

Auto – The default AUTO mode ensures optimal performance of the fixture. Fans only run at the speeds needed to keep the LED engine within a safe temperature range. They will turn off if possible, for example when the fixture is dimmed to a low intensity. Fans sense the ambient and fixture temperature, and will at all times try to keep noise levels at a minimum. The fixture output will only reduce when the LED engine cannot be cooled down to its safe operating range due to high ambient temperature. **Auto is the recommend mode for daily operation of the Artiste Rembrandt.**

Low – In this mode the fixture reduces fan speeds throughout for a lower noise profile of the fixture. This mode should be sufficient for most uses where lower noise is required. The fixture output is reduced to about 80%.

High – This mode is only required in very high ambient temperatures when automatic fan speed adjustments are not desired. High Fan Speed will cool the fixture most efficiently. This mode will increase wear on the fans and should only be utilized in exceptional circumstances. Fans will always run, even if the fixture is dimmed. Fixture output is kept at 100% unless the LED engine temperature is too high, at which point the fixture will reduce power carefully to ensure safe operation.

Low Noise Modes

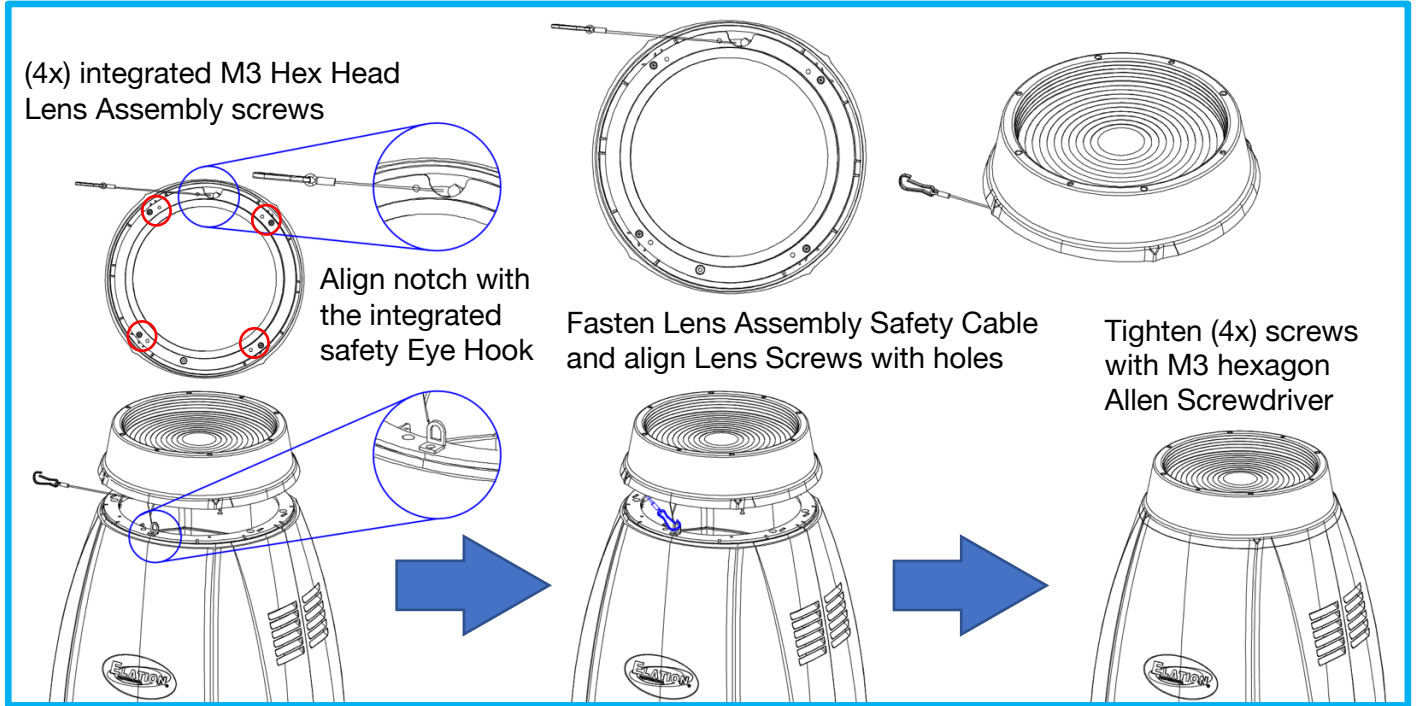
For very critical situations, the Rembrandt offers two additional low noise modes for silent operation. The fixture output will be reduced, but as the Rembrandt has such an extremely high luminous flux, it still offers outstanding performance. In low noise modes, all parameters of the Rembrandt operate quieter and with reduced speeds.

Studio – This mode reduces the fixture output to approximately 50%. Almost all fans inside the Rembrandt are turned off, and only run when absolutely necessary to keep the fixture at 50% LED power.

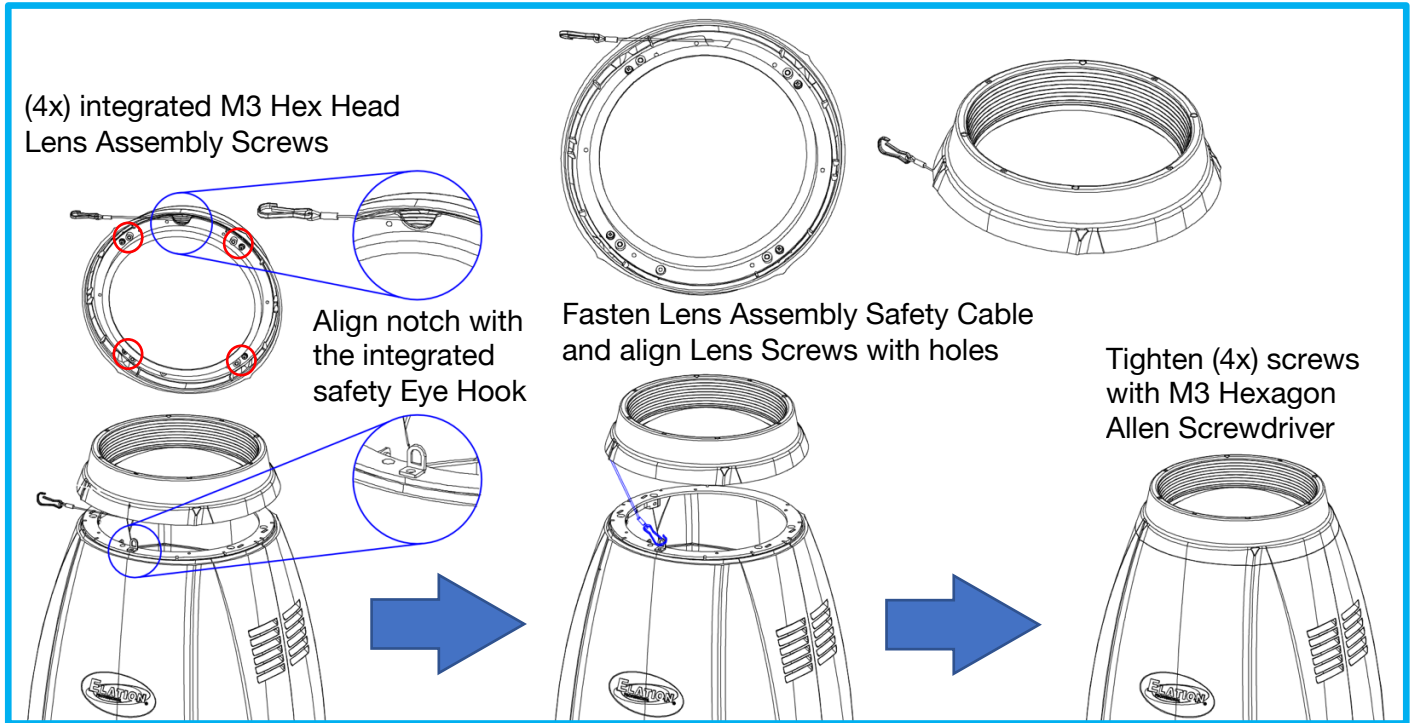
Mute – Running the fixture in MUTE mode reduces the fixture to about 25% output, and all fans are off. The fixture is totally silent.

LENS INSTALLATION / REPLACEMENT

FRESNEL LENS INSTALLATION



PC LENS INSTALLATION



Procedure:

- Turn power OFF and let fixture cool for approximately 10 minutes.
- Completely loosen (4x) integrated M3 Hex Head Screws of Lens Assembly (Fresnel or PC) to be replaced, unhook its integrated safety cable, and carefully remove it from fixture.
- Align the notch in replacement Lens Assembly (PC or Fresnel) with integrated Eye Hook on fixture, fasten safety cable carabiner to eyelet on fixture, taking care to feed cable and carabiner into notch, align Lens Screws with holes, and tighten (4x) M3 Hex Screws with hexagonal screwdriver.

Note! The correct lens type (Fresnel or PC) must be selected in the menu, or via the DMX control channel to ensure that the focus lens is positioned for the highest output.

INSTALLATION GUIDELINES



FLAMMABLE MATERIAL WARNING

Keep fixture minimum 5.0 feet (1.5m) away from flammable materials and/or pyrotechnics.



ELECTRICAL CONNECTIONS

A qualified electrician should be used for all electrical connections and/or installations.



USE CAUTION WHEN POWER LINKING OTHER MODEL FIXTURES AS THE POWER CONSUMPTION OF OTHER MODEL FIXTURES MAY EXCEED THE MAX POWER OUTPUT ON THIS FIXTURE. CHECK SILK SCREEN FOR AMX AMPS.



**MINIMUM DISTANCE TO OBJECTS/SURFACES
MUST BE 6.6 FEET (2 METERS)**



**MINIMUM DISTANCE OF INFLAMMABLE MATERIALS
FROM THE SURFACE 1.6 FEET (0.5 METER)**



MAXIMUM TEMPERATURE OF EXTERNAL SURFACE 185° F (85°C)



DO NOT INSTALL THE FIXTURE IF YOU ARE NOT QUALIFIED!

Fixture **MUST** be installed following all local, national, and country commercial electrical and construction codes and regulations.

Before rigging/mounting a single fixture or multiple fixtures to any metal truss/structure or placing the fixture(s) on any surface, a professional equipment installer **MUST** be consulted to determine if the metal truss/structure or surface is properly certified to safely hold the combined weight of the fixture(s), clamps, cables, and accessories.

Fixture ambient operating temperature range is **14° to 113°F. (-10° to 45°C).**

Do not use the fixture under or above this temperature.

Fixture(s) should be installed in areas outside walking paths, seating areas, or away from areas where unauthorized personnel might reach the fixture by hand.

NEVER stand directly below the fixture(s) when rigging, removing or servicing.

Overhead fixture installation must always be secured with a secondary safety attachment, such as an appropriately rated safety cable.

Allow approximately 15 minutes for the fixture to cool down before servicing.

RIGGING

Overhead rigging requires extensive experience, including amongst others calculating working load limits, installation material being used, and periodic safety inspection of all installation material and the fixture. If you lack these qualifications, do not attempt the installation yourself. Improper installation can result in bodily injury.

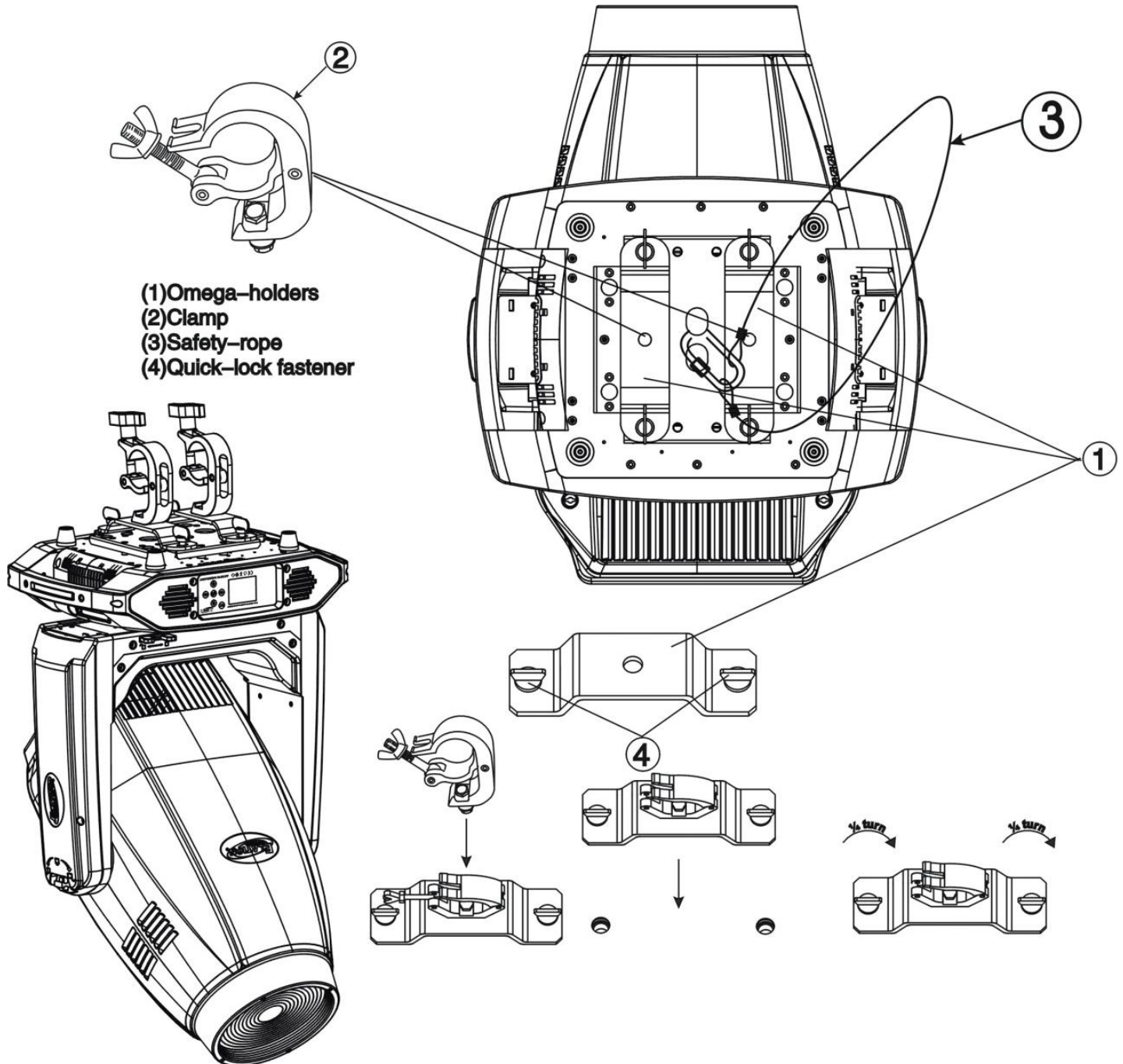


ALWAYS ATTACH AN APPROPRIATELY RATED SAFETY CABLE (NOT INCLUDED) THAT MEETS ALL LOCAL, NATIONAL, AND COUNTRY CODES AND REGULATIONS WHENEVER INSTALLING FIXTURE IN A SUSPENDED ENVIRONMENT!

INSTALLATION GUIDELINES

OMEGA BRACKETS INSTALLATION

Insert the Omega Brackets into the matching holes on the bottom of the fixture. Secure the Omega Brackets to the fixture by turning each quick-lock fastener $\frac{1}{4}$ turn clockwise; making sure the fastener is completely locked. Omega Brackets can be installed into the fixture base as illustrated below.



CLAMP INSTALLATION

When mounting fixture to truss, be sure to secure an appropriately rated professional grade rigging clamp to the included **Omega Brackets** using an M10 screw fitted through the center hole of the **Omega Brackets**. The fixture provides a built-in rigging points for a **SAFETY CABLE** (not included). Be sure to only use one of the designated rigging points for the safety cable and never secure a safety cable to a carrying handle.

INSTALLATION GUIDELINES

ART-NET | sACN CONNECTION

When connecting fixture to a network switch to control multiple devices, a **Gigabit Ethernet Switch** that supports **IGMP (Internet Group Management Protocol)** is required. Using a **Gigabit Ethernet Switch** that does not support **IGMP** can cause erratic behavior of all connected devices to the switch. Click link below for more information about IGMP.

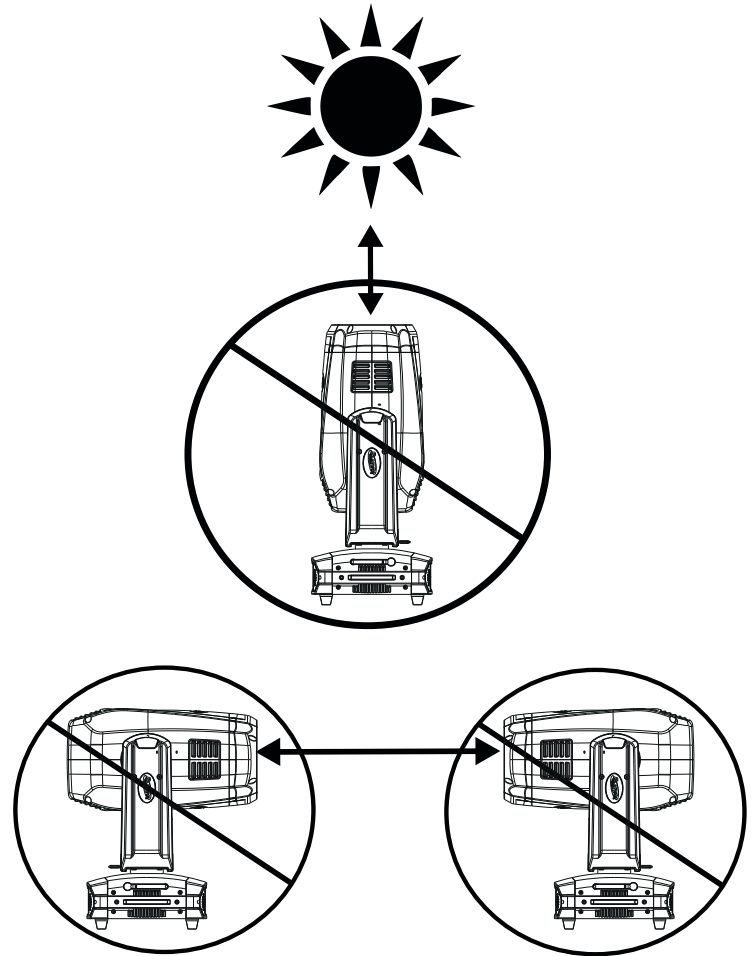
https://en.wikipedia.org/wiki/Internet_Group_Management_Protocol

POTENTIAL INTERNAL FIXTURE DAMAGE FROM EXTERNAL SOURCES OF LIGHT BEAMS

External sources of light beams from direct sunlight, lighting moving head fixtures, and lasers, which are focused directly towards the exterior housing and/or penetrate the front lens opening of ELATION lighting fixtures, can cause severe internal damage including burning to optics, dichroic color filters, glass and metal gobos, prisms, animation wheels, frost filters, iris, shutters, motors, belts, wiring, discharge lamps, and LEDs.

This issue is not specific to ELATION lighting fixtures, it is a common issue with lighting fixtures from all manufacturers. Although there is no true way to fully prevent this issue from happening, the following guidelines can prevent any potential damage from occurring if followed. Contact ELATION Service for more details.

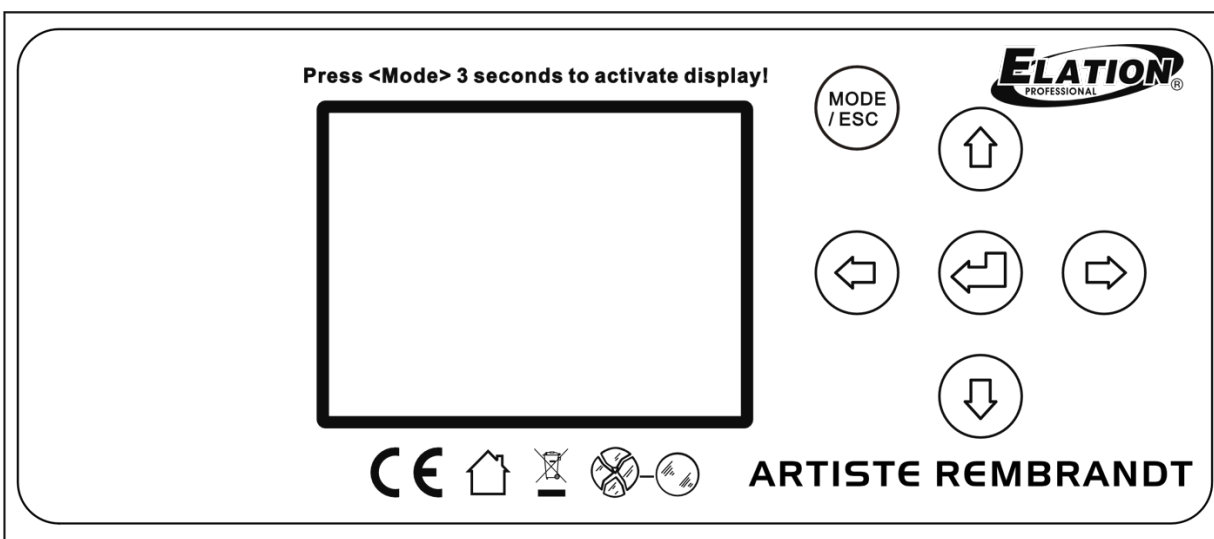
DO NOT EXPOSE THE FIXTURE AND/OR FRONT LENS OPENING TO LIGHT BEAMS FROM DIRECT SUNLIGHT, OTHER LIGHTING MOVING HEAD FIXTURES, AND LASERS WHILE UNPACKING, INSTALLATION, USE, AND EXTENDED IDLE TIMES OUTDOORS. DO NOT FOCUS A LIGHT BEAM FROM ONE LIGHTING FIXTURE DIRECTLY TOWARDS ANOTHER.



SYSTEM MENU

The fixture includes an easy to navigate system menu. The control panel (see image below) located on the front of the fixture, provides access to the main system menu and is where all necessary system adjustments are made to the fixture. During normal operation, pressing **MODE/ESC** button once will access the fixture's main menu. Once in the main menu you can navigate through the different functions and access the sub-menus with the **UP**, **DOWN**, **RIGHT**, and **LEFT** buttons. Once you reach a field that requires adjusting, press the **ENTER** button to activate that field and use the **UP** and **DOWN** buttons to adjust the field. Pressing the **ENTER** button once more will confirm your setting. You may exit the main menu at any time without making any adjustments by pressing the **MODE/ESC** button.

To access the LCD Menu Control Display via the internal battery, press and hold the **MODE/ESC** button for 3 seconds. The LCD Menu Control Display will shut **OFF** automatically about 1 minute from the last button press.



ELATION ARTISTE REMBRANDT™ SYSTEM MENU

Supports Software Versions: ≥ 1.1.1

Features subject to change without notice.
*Rotation direction (Clockwise/Counterclockwise) and control of effects depends on head orientation and Pan/Tilt settings.

MAIN MENU	SUB MENU	OPTIONS / VALUES (Default Settings in BOLD)	DESCRIPTION
FUNCTION	Set Dmx Address	A001~AXXX	DMX Address Setting
	Dmx Value	ALL, *Function/Effect = XXX (Control, Pan, Pan Fine, ...)	DMX Value Display
	Slave Mode	Slave1, Slave2, Slave3	Slave Setting
	Auto Program	Master / Alone	Auto Program
INFORMATION	Time Information	Current Time	XXXX (Hours) Fixture Run Time From Power ON
		Total Run Time	XXXX (Hours) Fixture Total Run Time
		Last Run Time	XXXX (Hours) Fixture Last Run Time
		LastRun Password	Password= 038 (PSWD Required)
		Clear Last Run	ON / OFF Clear Fixture Last Run Time
	Temperature Info	LED Temperature	XXX C° / F° Temperature of LED
		Base Temperature	XXX C° / F° Temperature in Fixture Base
		Head Temperature	XXX C° / F° Temperature in Fixture Head
	Ethernet IP	000.000.000.000 000.000.000.000	Displays Fixture Ethernet Address
	Fan Info	HeadFan: xxxx RPM	Displays Fan Info
Software Version	1U01: - 2U01: ≥ V1.1.1	Software Version	
Error Info	Error Record 1 ~ Error Record 10	Fixture Last 10 Error Codes	
PERSONALITY	Status Settings	Address via DMX	ON/OFF Address Via DMX
		No DMX Status	Close / Hold / Auto Fixture State When NO DMX Signal
		Pan Reverse	ON/OFF Pan Reverse Movement
		Tilt Reverse	ON/OFF Tilt Reverse Movement
		Pan Degree	630/ 540 Pan Degree Select
		Feedback	ON/OFF Movement Feedback
		Movement Speed	Normal / Slow Movement Speed
		P/T Brake Mode	Smooth /Fast Pan/Tilt Brake Mode
		Lens Changing	Fresnel Lens , PC Lens Select Lens
		Hibernation	OFF, 01M~99M, 15M Stand By Mode
	Service Setting	Password	Password= 050 Service Password
		RDM UID	XXXXXX (XXXXXXXXXXXX) Set RDM UID (PSWD Required)
		Clear Err. Info	ON/OFF Clear Error Info (PSWD Required); Password “=11”, enable FollowSpot function; use password “=60” to open wireless related menu
		USB Update	YES/ NO Service Port - Software Updates
	Fans Control	Auto , High, Low, Studio, Mute	Select Fan Speeds
	Display Setting	Shutoff Time	02~60m 05m Display Shut Off Time
		Display Reverse	ON/OFF Display Reverse 180°
		Key Lock	ON/OFF Key Lock
	Temperature C/F	Celsius/ Fahren	Temperature Switch Between C°/ F°
	Initial Status	*Function/Effect = XXX... (Control, Pan, Pan Fine, ...)	Initial Effect Position
	Select Signal	DMX Only	DMX In/Out
		Art-Net	Select Art-Net
		sACN	Activate sACN
	Ethernet IP	XXX.XXX.XXX.XXX	Ethernet IP (PSWD Required)
	Ether Mask IP	XXX.XXX.XXX.XXX	Ethernet Mask IP (PSWD Required)
	Set Universe	000 - 32767	Set ArtNet Universe
	Dimmer Mode	Standard , Stage, TV, Architectural, Theatre, Stage2, Delay 0s, 0.1s, 0.2s... 10s	Set Dimmer Mode
	Refresh	1200 , 900-1500, 2500, 4000, 5000, 6000, 10000, 15000, 20000, 25000 (Hz)	Set LED Refresh Rate
	DimmerCurve	Linear , Square, InverseSquare, S-Curve	Set Dimmer Curve Mode
	Reset Default	ON/OFF Passcode= 011	Restore Factory Settings (PSWD Required)

*Function/Effect: Control, Pan, Pan Fine, Tilt, Tilt Fine, Move Speed, Strobe, Dimmer, Dimmer Fine, Dimmer Mode, CMY Speed, CMY Macro, Cyan, Cyan Fine, Magenta, Magenta Fine, Yellow, Yellow Fine, CTO, CTO Fine, Red, Red Fine, Green, Green Fine, Blue, Blue Fine, Color1 Wheel, Color1 Fine, Focus, Focus Fine, Zoom, Zoom Fine, Iris, Iris Fine, Frost, Animation1, AnimationRot1, Animation2, AnimationRot2, Blade1A, Blade1A Fine, Blade1B, Blade1B Fine, Blade2A, Blade2A Fine, Blade2B, Blade2B Fine, Blade3A, Blade3A Fine, Blade3B, Blade3B Fine, Blade4A, Blade4A Fine, Blade4b, Blade4B Fine, Blade_Rot, Blade_Rot_F, BladeSpeed, BladeMacro

ELATION ARTISTE REMBRANDT™ S Y S T E M M E N U

Supports Software Versions: ≥ 1.3.0

Features subject to change without notice.

*Rotation direction (Clockwise/Counterclockwise) and control of effects depends on head orientation and Pan/Tilt settings.

MAIN MENU	SUB MENU	OPTIONS / VALUES (Default Settings in BOLD)	DESCRIPTION	
Reset Function	Reset All		Reset All Motors	
	Reset Pan&Tilt		Reset Pan/Tilt	
	Reset Colors		Reset Colors	
	ResetZoomModules		Zoom	
	Reset Others		Reset Other Motors	
Effect Adjust	Test Channel	*Function/Effect (Control, Pan,...)	Test function	
	Manual Control	*Function/Effect (Control, Pan,...)	Fine Adjustments	
	Calibration	Calibration Password	Password 050 (PSWD Required)	
User Mode Set	User Mode	Standard Mode	DMX Channel Modes	
		Extended Mode		
Edit Program	Select Program	Auto Pro Part1 = Program 1~10 (Program 1 - 10)	Select Programs To Be Run	
		Auto Pro Part2 = Program 1~10 (Program 1 - 10)		
		Auto Pro Part3 = Program 1~10 (Program 1 - 10)		
	Edit Program	Program 1	Pro. Test	Testing Program
		:	Step 01=SCxxx	Program In Loop
		Program 10	Step 64=SCxxx	Save and Exit
	Edit Scenes	Edit Scene 001 ~ Edit Scene 250	Pan,Tilt,.....	Save and Automatically Return
			--Fade Time-- --Scene Time--	Manual Scenes Edit
Input By Outside			Stores Scenes via Ext DMX Console	
Rec. Controller	XX~XX		Automatic Scenes Recorder	

*Function/Effect: Control, Pan, Pan Fine, Tilt, Tilt Fine, Move Speed, Strobe, Dimmer, Dimmer Fine, Dimmer Mode, CMY Speed, CMY Macro, Cyan, Cyan Fine, Magenta, Magenta Fine, Yellow, Yellow Fine, CTO, CTO Fine, Red, Red Fine, Green, Green Fine, Blue, Blue Fine, Color1 Wheel, Color1 Fine, Focus, Focus Fine, Zoom, Zoom Fine, Iris, Iris Fine, Frost, Animation1, AnimationRot1, Animation2, AnimationRot2, Blade1A, Blade1A Fine, Blade1B, Blade1B Fine, Blade2A, Blade2A Fine, Blade2B, Blade2B Fine, Blade3A, Blade3A Fine, Blade3B, Blade3B Fine, Blade4A, Blade4A Fine, Blade4b, Blade4B Fine, Blade_Rot, Blade_Rot_F, BladeSpeed, BladeMacro

SYSTEM MENU

FUNCTION – Auto Program

Define fixture mode (**Master** or **Alone**) for running Auto Programs. Select desired internal programs under “**Select Program**,” set the number of steps under “**Edit program**,” and edit individual scenes under “**Edit Scenes**.”

PERSONALITY - Status Settings - Address Via DMX

When ON, define the desired DMX address via an external controller.

NOTE: This process assumes the fixture DMX address is set to 001. If fixture DMX address is not at 001, you must adjust the channel numbers accordingly in order for this feature to work. For example: if your fixture address is 010, then Channel 1 becomes Channel 10, Channel 2 becomes Channel 11, and Channel 3 becomes Channel 12.

1. Connect the fixture to the external controller and power ON.
2. Set the DMX value of **Channel 1** on the controller to **(7)**.
3. Set the DMX value of **Channel 2** on the controller to **(7)** or **(8)**.
When set to **(7)**, the DMX address can be set between **(1)** and **(255)**.
When set to **(8)**, the DMX address can be set between **(256)** and **(511)**.
4. Using Channel 3 on the controller set the desired DMX address of the fixture.
Example 1: If the desired DMX address is 57, set Channel 1 to a value of (7), set Channel 2 to a value of (7), and then set Channel 3 to a value of (57).
Example 2: If the desired DMX address is 420, set Channel 1 to a value of (7), set Channel 2 to a value of (8), and then set Channel 3 to a value of (164). (256+164=420)
5. After setting Channel 3 to the desired DMX address value, wait for approximately 20 seconds (some fixtures may require a longer time) for the fixture to complete the address reset function.

PERSONALITY – Service Setting - Password (050/060)

Note: The Service Password **MUST** be entered in order to access the service menus.

Clear Err. And USB Update.

SYSTEM MENU

PERSONALITY – Service Setting – USB Update

To update the fixture software via the **UPDATE/SERVICE PORT**, follow steps below.



ONLY QUALIFIED TECHNICIANS SHOULD PERFORM THIS FUNCTION!
NOTE ALL MENU SETTINGS BEFORE UPDATING SOFTWARE!
FIXTURE SOFTWARE CAN NOT BE DOWNGRADED!
DOWNLOAD FIXTURE SOFTWARE TO PC ONLY! (NO MAC SUPPORT)
PLEASE CONTACT ELATION SERVICE FOR FURTHER INFORMATION.

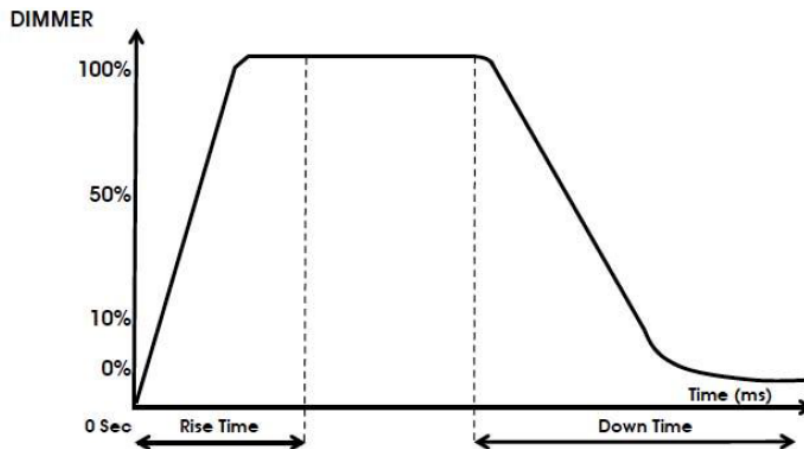
1. Copy fixture software update file from a PC computer to a compatible USB flash drive.
 Make sure only the fixture software update file is stored on the USB flash drive.
2. Disconnect DMX, Art-Net, and E-FLY connections and power the fixture ON.
3. Insert USB flash drive into the **UPDATE/SERVICE PORT** on the rear connection panel.
4. Navigate to the **Personality** main menu **Service Setting / USB Update** sub menu.
5. Select the software file name on the menu display and press **ENTER**.
6. Select **YES** to begin update process and **Updating...%** will show on the menu display.
7. After file is uploaded, the fixture will check the software which will take some time.
 The fixture will perform a reset process when the software update process is complete.
8. Remove the USB flash drive and make necessary system menu setting adjustments.

PERSONALITY – Display Setting – Key Lock

When ON, Control Panel buttons lock automatically after exiting main menu for 15 seconds. To unlock, keep **MODE/ESC** button pressed for 3 seconds.

PERSONALITY – Dimmer Mode

Select dimming modes (Standar, Stage, TV, Archite, Theatre, Stage2, Delay 0s, Delay 0.1s, Delay 0.2s, Delay 0.3s, Delay 0.5s, Delay 0.6s, Delay 0.7s, Delay 0.8s, Delay 0.9s, Delay 1.0s, Delay 1.5s, Delay 2.0s, Delay 3.0s, Delay 4.0s, Delay 5.0s, Delay 6.0s, Delay 7.0s, Delay 8.0s, Delay 9.0s, Delay 10s).



Dimming Curve Ramp Effect	0 sec Fade Time		1 sec Fade Time	
	Rise Time (ms)	Down Time (ms)	Rise Time (ms)	Down Time (ms)
Standard (default)	0	0	0	0
Stage	780	1100	1540	1660
TV	1180	1520	1860	1940
Architectural	1380	1730	2040	2120
Theatre	1580	1940	2230	2280

PERSONALITY - Reset Default (011)



**ONLY QUALIFIED TECHNICIANS SHOULD PERFORM THIS FUNCTION!
SAVED WHITE BALANCE IS ERASED AFTER RESET IS PERFORMED.**

This function restores all fixture settings to the factory default settings. The password is **011** and must be entered each time a reset is performed.

EFFECT ADJUST – Test Channel

Auto test each individual channel function independently from the DMX control board.

EFFECT ADJUST – Manual Control

Select and manually test and fine adjust each individual channel function Independently from DMX control board. This function will center PAN and TILT motors and set dimmer to 100%. PAN and TILT functions will still operate if the fixture needs to be positioned to a flat clear surface. With the individual functions, you can focus the light on a flat surface (wall) and perform fine adjustments.

EFFECT ADJUST – Calibration



ONLY QUALIFIED TECHNICIANS SHOULD PERFORM THIS FUNCTION!

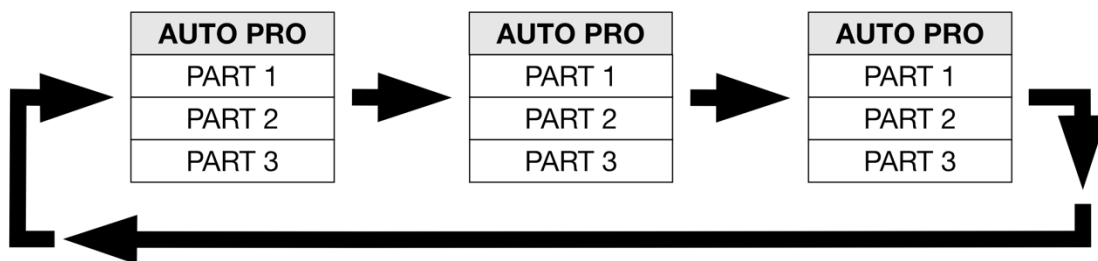
This function allows small adjustments to be made to the Pan, Tilt, and Zoom movements to compensate for wear or in the event a sensor has been knocked slightly out of place. Because improper use of this function can result in undesired operation this function has been password protected. The password is **050** and must be entered each time the calibration menu function is entered. Because calibration is an extremely delicate procedure, instructions on performing this action are left out of this manual. For a first-time calibrator, please contact our customer support team for step-by-step instructions.

EDIT PROGRAM – Rec. Controller

The fixture features an integrated DMX-recorder that can be used to transmit programmed scenes from the DMX-controller to the moving head. Adjust the desired scene numbers (from – to) via the encoder. When the scenes are called at the controller, they will automatically be transmitted to the moving head.

EDIT PROGRAM – Record Controller – Working with Built-In Programs

A Master unit can send up to 3 different data groups to the Slave units, i.e. a Master unit can start 3 different Slave units, which run 3 different programs. The Master unit sends the 3 program parts in a continuous loop.



The Slave unit receives data from the Master unit according to the group which the Slave unit was assigned to. If e.g. a Slave unit is set to “**Slave 1**” in the menu “**Set to Slave**”, the Master unit sends “**Auto Program Part 1**” to the Slave unit.

If set to “**Slave 2**”, the Slave unit receives “**Auto Program Part 2**”.

SYSTEM MENU

EDIT PROGRAM – Record Controller – Working with Built-In Program [continued]

To start an Auto Program, proceed as follows:

1. Slave Setting

Select **“Function Mode”**.

Press **ENTER** to confirm.

Select **“Set to Slave”**.

Press **ENTER** to confirm.

Select **“Slave 1”**, **“Slave 2”** or **“Slave 3”**.

Press **ENTER** to confirm.

Press **MODE/ESC** in order to return to the main menu.

2. Automatic Program Run

Select **“Function Mode”**.

Press **ENTER** to confirm.

Select **“Auto Program”**.

Press **ENTER** to confirm.

Select **“Master”** or **“Alone”**.

Press **ENTER** to confirm.

Press **MODE/ESC** in order to return to the main menu.

3. Program Selection for Auto Pro Part

Select **“Edit Program”**.

Press **ENTER** to confirm.

Select **“Select Programs”**.

Press **ENTER** to confirm.

Select **“Auto Pro Part 1”**, **“Auto Pro Part 2”** or **“Auto Pro Part 3”** and select which Slave program is to be sent. Selection **“Part 1”** means, that the Slave unit runs the same program as the master units.

Press **ENTER** to confirm.

Press **MODE/ESC** in order to return to the main menu.

4. Program Selection for Edit Program

Select **“Edit Program”**.

Press **ENTER** to confirm.

Select **“Edit Program”**.

Press **ENTER** to confirm.

Select the desired program to edit specific scenes into a specific program.

Press **ENTER** to confirm.

Press **MODE/ESC** in order to return to the main menu.

SYSTEM MENU

EDIT PROGRAM – Record Controller – Working with Built-In Program [continued]

5. Automatic Scene Recording

Select “**Edit Program**”.

Press **ENTER** to confirm.

Select “**Edit Scenes**”.

Select desired scene numbers. A maximum of 250 scenes can be programmed.

Press **ENTER** to confirm.

Press **MODE/ESC** in order to return to the main menu.

Example:

Program 2 includes scenes: 10, 11, 12, & 13

Program 4 includes scenes: 8, 9, & 10

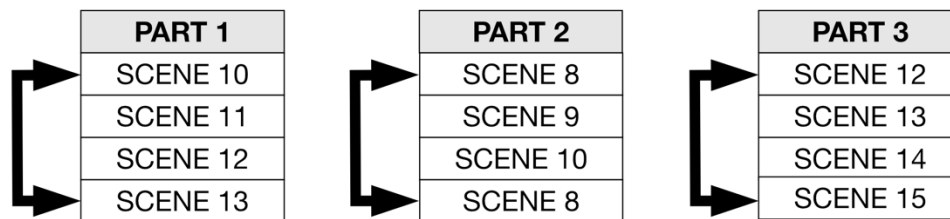
Program 6 includes scenes: 12, 13, 14, & 15

Auto Pro Part 1 is Program 2

Auto Pro Part 2 is Program 3

Auto Pro Part 3 is Program 6

The 3 Slave groups run the Auto Program in certain time segments. (See graphic below)



DMX CHANNEL FUNCTIONS AND VALUES

ELATION ARTISTE REMBRANDT™ DMX Channel Values / Functions (35/59 Total DMX Channels)

Supports Software Versions: ≥ 1.1.1

Features subject to change without notice.

*Rotation direction (Clockwise/Counterclockwise) and control of effects depends on head orientation and Pan/Tilt settings.

Standard	Extended	Value	Function	Hold Time	Default	Snap
1	1		PAN Movement 8bit:		127	
		0-255	Pan Movement			
2	2		Pan Fine 16bit:		127	
		0-255	Fine control of Pan movement			
3	3		TILT Movement 8bit:		127	
		0-255	Tilt Movement			
4	4		Tilt Fine 16bit:		127	
		0-255	Fine control of Tilt movement			
5	5		Cyan:		0	
		0-255	Cyan (0-100% Cyan)			
	6		Cyan Fine:		0	
		0-255	Cyan Fine			
6	7		Magenta:		0	
		0-255	Magenta (0-100% Magenta)			
	8		Magenta Fine:		0	
		0-255	Magenta Fine			
7	9		Yellow:		0	
		0-255	Yellow (0-100% Yellow)			
	10		Yellow Fine:		0	
		0-255	Yellow Fine			
8	11		CTO:		0	
		0-255	CTO (0-100% CTO)			
	12		CTO Fine:		0	
		0-255	CTO Fine			
9	13		Pure Red:		0	
		0-255	Red (0-100% Red)			
	14		Pure Red Fine:		0	
		0-255	Red Fine			
10	15		Pure Green:		0	
		0-255	Green (0-100% Green)			
	16		Pure Green Fine:		0	
		0-255	Green Fine			
11	17		Pure Blue:		0	
		0-255	Blue (0-100% Blue)			
	18		Pure Blue Fine:		0	
		0-255	Blue Fine			

Standard	Extended	Value	Function	Hold Time	Default	Snap
12	19		Color Wheel:		0	X
		0-15	Open			
		20-37	Red			
		38-55	Green			
		56-73	UV			
		74-91	HCRI			
		92-109	Amber			
		110-127	Medium Blue			
		128-189	Clockwise effect from fast to slow			
		190-193	No rotation			
		194-255	Counter-clockwise effect from slow to fast			
	20		Color Wheel Fine:		0	X
		0-255	Fine Control of Color Wheel position			
13	21		Focus:		0	
		0-10	Optimize Zoom (default)			
		11-255	Focus edge adjustment			
14	22		Focus Fine:		0	
		0-255	Focus adjustment Fine			
15	23		Zoom:		138	
		0-20	Zoom Overdrive small to large			
		21-255	Zoom small to large			
16	24		Zoom Fine:		127	
		0-255	Zoom adjustment Fine			
17	25		Shutter, strobe:		50	X
		0-31	Shutter closed			
		32-63	No function (shutter open)			
		64-95	Strobe effect slow to fast			
		96-127	No function (shutter open)			
		128-159	Pulse-effect in sequences			
		160-191	No function (shutter open)			
		192-223	Random strobe effect slow to fast			
224-255	No function (shutter open)					
18	26		Dimmer:		0	
		0-255	Intensity 0 to 100%			
19	27		Dimmer Fine:		0	
		0-255	Dimmer fine			

Standard	Extended	Value	Function	Hold Time	Default	Snap
	28	0-20	Dim Modes			
		21-40	Standard			
		41-60	Stage			
		61-80	TV			
		81-100	Architectural			
		101- 120	Theatre			
			Stage 2			
		121	Dimmer Delay Time			
		122	0s			
		123	0.1s			
		124	0.2s			
		125	0.3s			
		126	0.4s			
		127	0.5s			
		128	0.6s			
		129	0.7s			
		130	0.8s			
		131	0.9s			
		132	1.0s			
		133	1.5s			
		134	2.0s			
		135	3.0s			
		136	4.0s			
		137	5.0s			
138	6.0s					
139	7.0s					
140	8.0s					
141	9.0s					
142 - 255	Idle					
20	29		Iris:		0	
		0-191	Max. diameter to Min. diameter			
		192-223	Pulse opening fast to slow			
		224-255	Pulse closing slow to fast			
	30		Iris Fine:		0	
		0-255	Iris Fine			
21	31		Frost:		0	
		0-127	Open to Medium Frost			
		128-255	Open to Heavy Frost			
22	32		Animation wheel1:		0	
		0-127	Open			
		8-255	Animation min. to max.			
23	33		Animation Index, Animation rotation 1:		0	
		0-127	Animation indexing			
		128-189	Clockwise animation rotation from fast to slow			
		190-193	No rotation			
		194-255	Counter-clockwise animation rotation from slow to fast			

Standard	Extended	Value	Function	Hold Time	Default	Snap
24	34		Animation wheel2:		0	
		0-7	Open			
		8-255	Animation min. to max.			
25	35		Animation index, animation rotation2:		0	
		0-127	Animation indexing			
		128-189	Clockwise animation rotation from fast to slow			
		190-193	No rotation			
		194-255	Counter-clockwise animation rotation from slow to fast			
	36		Speed Of CMY & Colour macro Speed:		0	
		0-255	Speed Max →Min			
	37		Colour macros - CMY and colour wheel:		0	X
		0-31	OFF			
		32-39	Macro1			
		40-47	Macro2			
		48-55	Macro3			
		56-63	Macro4			
		64-71	Macro5			
		72-79	Macro6			
		80-87	Macro7			
		88-95	Macro8			
		96-103	Macro9			
		104-111	Macro10			
		112-119	Macro11			
		120-127	Macro12			
		128-135	Macro13			
		136-143	Macro14			
		144-151	Macro15			
		152-159	Macro16			
		160-167	Macro17			
		168-175	Macro18			
		176-183	Macro19			
		184-191	Macro20			
		192-199	Macro21			
		200-207	Macro22			
		208-215	Macro23			
216-223	Macro24					
224-231	Macro25					
232-239	Macro26					
240-247	Macro27					
248-255	Random CMY					

Standard	Extended	Value	Function	Hold Time	Default	Snap
26	38		Blade 1A		0	
		0-255	Open to Close			
	39		Blade 1A Fine		0	
		0-255	Open to Close Fine			
27	40		Blade 1B		0	
		0-255	Open to Close			
	41		Blade 1B Fine		0	
		0-255	Open to Close Fine			
28	42		Blade 2A		0	
		0-255	Open to Close			
	43		Blade 2A Fine		0	
		0-255	Open to Close Fine			
29	44		Blade 2B		0	
		0-255	Open to Close			
	45		Blade 2B Fine		0	
		0-255	Open to Close Fine			
30	46		Blade 3A		0	
		0-255	Open to Close			
	47		Blade 3A Fine		0	
		0-255	Open to Close Fine			
31	48		Blade 3B		0	
		0-255	Open to Close			
	49		Blade 3B Fine		0	
		0-255	Open to Close Fine			
32	50		Blade 4A		0	
		0-255	Open to Close			
	51		Blade 4A Fine		0	
		0-255	Open to Close Fine			
33	52		Blade 4B		0	
		0-255	Open to Close			
	53		Blade 4B Fine		0	
		0-255	Open to Close Fine			
34	54		Framing Index / Rotation:		127	
		0-127	Index (0-360 degrees)			
		128-189	CW rotation from fast to slow			
		190-193	No rotation			
		194-255	CCW rotation from fast to slow			
	55		Framing Rotation Fine:		127	
		0-255	Framing Rotation Fine			
	56		Framing Speed:		0	
		0-255	Speed Max →Min			

Standard	Extended	Value	Function	Hold Time	Default	Snap	
	57		Framing Macro:				
		0-7	OFF				
		8-15	Macro1				
		16-23	Macro2				
		24-31	Macro3				
		32-39	Macro4				
		40-47	Macro5				
		48-55	Macro6				
		56-63	Macro7				
		64-71	Macro8				
		72-79	Macro9				
		80-87	Macro10				
		88-95	Macro11				
		96-103	Macro12				
		104-111	Macro13				
		112-119	Macro14				
		120-127	Macro15			0	X
		128-135	Macro16				
		136-143	Macro17				
		144-151	Macro18				
		152-159	Macro19				
		160-167	Macro20				
		168-175	Macro21				
		176-183	Macro22				
		184-191	Macro23				
		192-199	Macro24				
		200-207	Macro25				
		208-215	Macro26				
		216-223	Macro27				
		224-231	Macro28				
		232-239	Macro29				
	240-247	Macro30					
	248-255	Macro31					
	58		Pan / Tilt Speed:				
		0-225	Max to min speed				
		226-235	Blackout by movement			0	X
		236-245	Blackout by all wheel changing				
		246-255	No function				

Standard	Extended	Value	Function	Hold Time	Default	Snap
35	59		Control:	0s	0	X
		0-19	Color change normal			
		20-29	Color change to any position			
		30-39	Color & gobo change to any position	3s		
		40-44	Low Noise - Mute			
		45-49	Low Noise - Studio			
		50-59	Fan Control - Low			
		60-69	Fan Control - High			
		70-79	Fan Control - Auto (Default)			
		80-84	All motor reset			
		85-87	Pan / Tilt reset			
		88-90	Color reset			
		91-93	Idle			
		94-96	Focus and Zoom reset			
		97-99	Other motor reset			
		100-168	Refresh Rate (Hz)			
		100	900			
		101	910			
		102	920			
		103	930			
		104	940			
		105	950			
		106	960			
		107	970			
		108	980			
		109	990			
		110	1000			
		111	1010			
		112	1020			
		113	1030			
		114	1040			
		115	1050			
116	1060					
117	1070					
118	1080					
119	1090					
120	1100					
121	1110					
122	1120					

Standard	Extended	Value	Function	Hold Time	Default	Snap
35	59	123	1130	1s	0	X
		124	1140			
		125	1150			
		126	1160			
		127	1170			
		128	1180			
		129	1190			
		130	1200			
		131	1210			
		132	1220			
		133	1230			
		134	1240			
		135	1250			
		136	1260			
		137	1270			
		138	1280			
		139	1290			
		140	1300			
		141	1310			
		142	1320			
		143	1330			
		144	1340			
		145	1350			
		146	1360			
		147	1370			
		148	1380			
		149	1390			
		150	1400			
		151	1410			
		152	1420			
		153	1430			
		154	1440			
		155	1450			
		156	1460			
		157	1470			
		158	1480			
		159	1490			
		160	1500			

Standard	Extended	Value	Function	Hold Time	Default	Snap
35	59	161	2500	1s	0	X
		162	4000			
		163	5000			
		164	6000			
		165	10000			
		166	15000			
		167	20000			
		168	25000			
		169-170	Focus Tracking Fresnel (default)	3s	0	X
		171-172	Focus Tracking PC			
		173-176	Idle			
		177-178	Hibernation OFF			
		179-180	Hibernation ON			
		181-190	Smooth mode(Pan/Tilt break)(default)			
		191-200	Fast mode(Pan/Tilt break)			
		201-210	Dimmer Curve Linear (default)			
		211-220	Dimmer Curve Square			
		221-230	Dimmer Curve Inverse Square			
		231-240	Dimmer Curve S-Curve			
		241	Internal program 1 (scene1~8 of EEPROM)			
		242	Internal program 2 (scene9~16 of EEPROM)			
		243	Internal program 3 (scene17~24 of EEPROM)			
		244	Internal program 4 (scene25~32 of EEPROM)			
		245	Internal program 5 (scene33~40 of EEPROM)			
		246	Internal program 6 (scene41~48 of EEPROM)			
		247	Internal program 7 (scene49~56 of EEPROM)			
		248-255	Idle			

ERROR CODES

When power is applied, the unit will automatically enter a **“Reset/Test”** mode. This mode brings all the internal motors to a home position. If there is an internal problem with one or more of the motors an error code will flash in the display in the form of **“XXEr”** where as XX will represent a function number. For example, when the display shows **“0Er”** it means there is some type of error with the Pan motor. If there are multiple errors during the start-up process they will all flash in the display. For example: if the fixtures has errors on **Channel 1, 2, and 5** all at the same time, you will see the error message **“01Er”, “02Er”, and ”05Er”** flash repeated 5 times.

If an error does occur during the initial start-up procedure the fixture will self-generate a second reset signal and try to realign all the motors and correct the errors. If the error persists after a second attempt a third attempt will be made. If after a third attempt all the errors have not been corrected the fixture will make the following determinations:

3 or More Errors - The fixture cannot function properly with three or more errors; therefore, the fixture will place itself in a stand-by mode until subsequent repairs can be made.

Less Than 3 Errors - The fixture has less than 3 errors; therefore, most other functions will work properly. The fixture will attempt to operate normally until the errors can be correct by a technician. The errors in question will remain flashing in the display as a reminder of internal errors.

Error Codes subject to change without notice.	
ERROR CODES	DESCRIPTION
PAN Er	Movement is not located in the default position after the reset. This message will appear after a fixture reset if the magnetic-indexing circuit malfunctions (sensor failed, or magnet is missing) or there is a motor failure (defective motor or a defective motor IC drive on the main PCB). This error may also be displayed if the head/yoke was blocked during a reset function.
TILT Er	
Cyan Color Er	Movement is not located in the default position after the reset. This message will appear after a fixture reset if the magnetic-indexing circuit malfunctions (sensor failed, or magnet is missing), or there is a motor failure (defective motor or a defective motor IC drive on the main PCB).
Magenta Color Er	
Yellow Color Er	
CTO Color Er	
Color Wheel1 Er	
Focus Er	
Zoom Er	
Iris Er	
AllBladeRotation Er	
Animation 1 Er	
AnimationRot 1 Er	
Animation 2 Er	
AnimationRot 2 Er	

SPECIFICATIONS

SOURCE

950W 6,500K Bright White LED Engine
30,000 Hour Average LED Life*

*Test lab conditions. May vary depending on several factors including but not limited to: Environmental Conditions, Power/Voltage, Usage Patterns (On-Off Cycling), Control, and Dimming.

PHOTOMETRIC DATA

51,000 Total Lumen Fixture Output
CRI 72+ (85+ with HCRI filter)

Fresnel

Zoom Range 11° - 55°
Beam Angle 6.1° - 43.1°
Field Angle 51.9° - 64.9°

PC (optional)

Zoom Range 8° - 50°
Beam Angle 6.5° - 45°
Field Angle 10.8° - 75.7°

EFFECTS

Motorized Zoom (Fresnel)
4 Full Blackout Framing Blades
360° Framing Index - Continuous Framing Rotation
2 Bi-Directional Animation Wheels
2 Variable Frost Filters (Medium, Heavy)
High Speed Iris
Focus Edge Control
Variable 16-bit Dimming Curve Modes
High Speed Electronic Shutter and Strobe
Adjustable LED Refresh Rate Frequency

COLOR

SpectraColor CMY + RGB color mixing array
6 Dichroic Colors including High CRI Filter, UV
Linear CTO Color Correction

CONTROL / CONNECTIONS

2 DMX Channel Modes (35/59 Ch.)
16-bit Pan, Tilt, and Dimming Control
DMX, RDM, Art-NET, and sACN Protocol Support
6 Button Touch Control Panel
Full Color 180° Reversible LCD Menu Display
Hibernation Mode (Power Save)
Locking 5pin XLR DMX, RJ45 Ethernet, and Power
With Wired Digital Communication Network

SIZE / WEIGHT

Length: 18.5 in. (471mm)
Width: 23.3 in. (592mm)
Vertical Height (Fresnel Lens): 31.5 in. (805mm)
Vertical Height (optional PC Lens): 31.3 in. (795mm)
Weight: 94.7lbs. (43 kg)

ELECTRICAL / THERMAL

AC 100-240V - 50/60Hz
1300W Max Power Consumption
14°F to 113°F (-10°C to 45°C)
BTU/hr (+/- 10%) 4433

APPROVALS / RATINGS

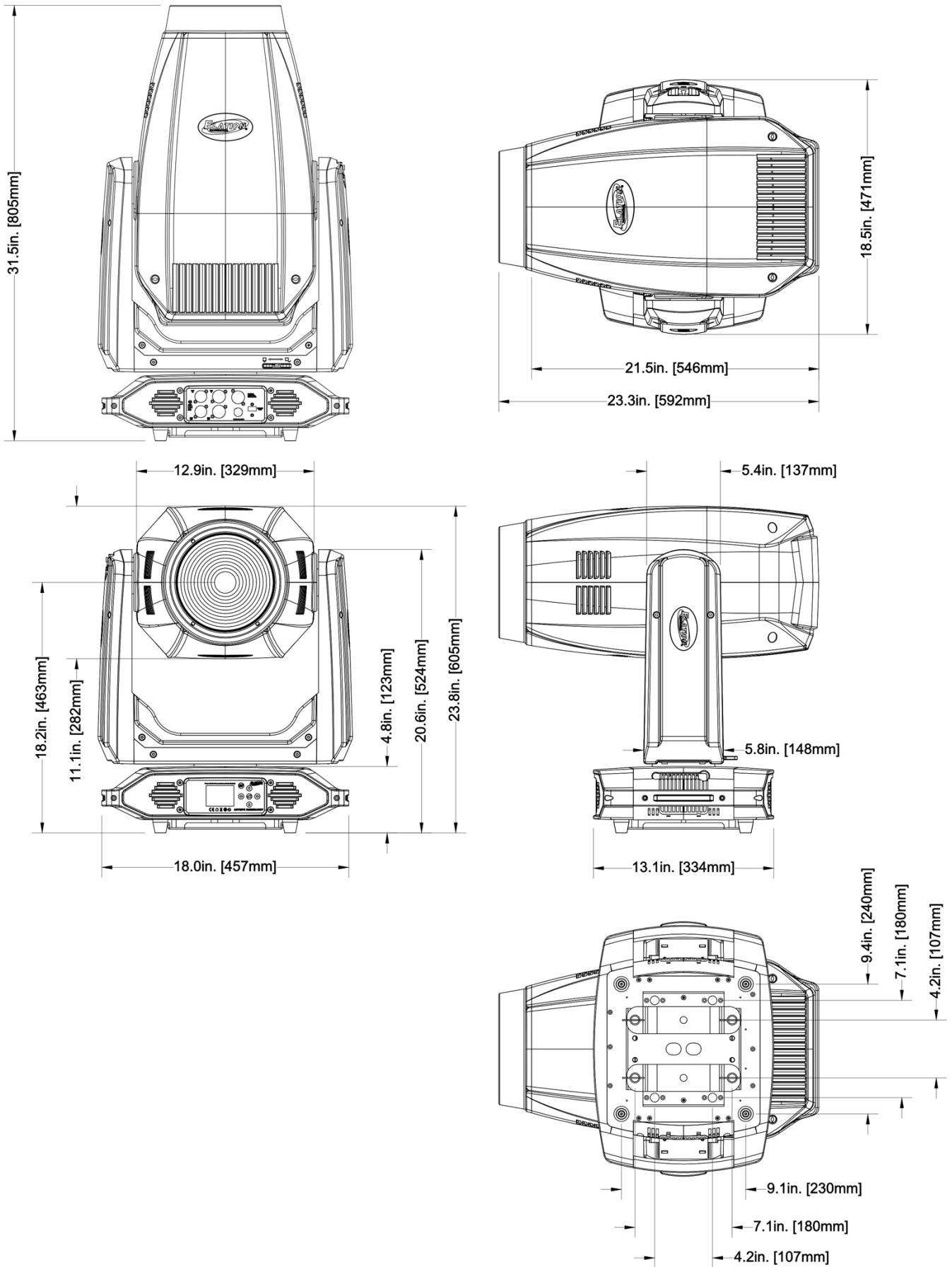
CE | cETLus (pending) | IP20

OPTIONAL ACCESSORIES:

ARPCL1- PC Lens

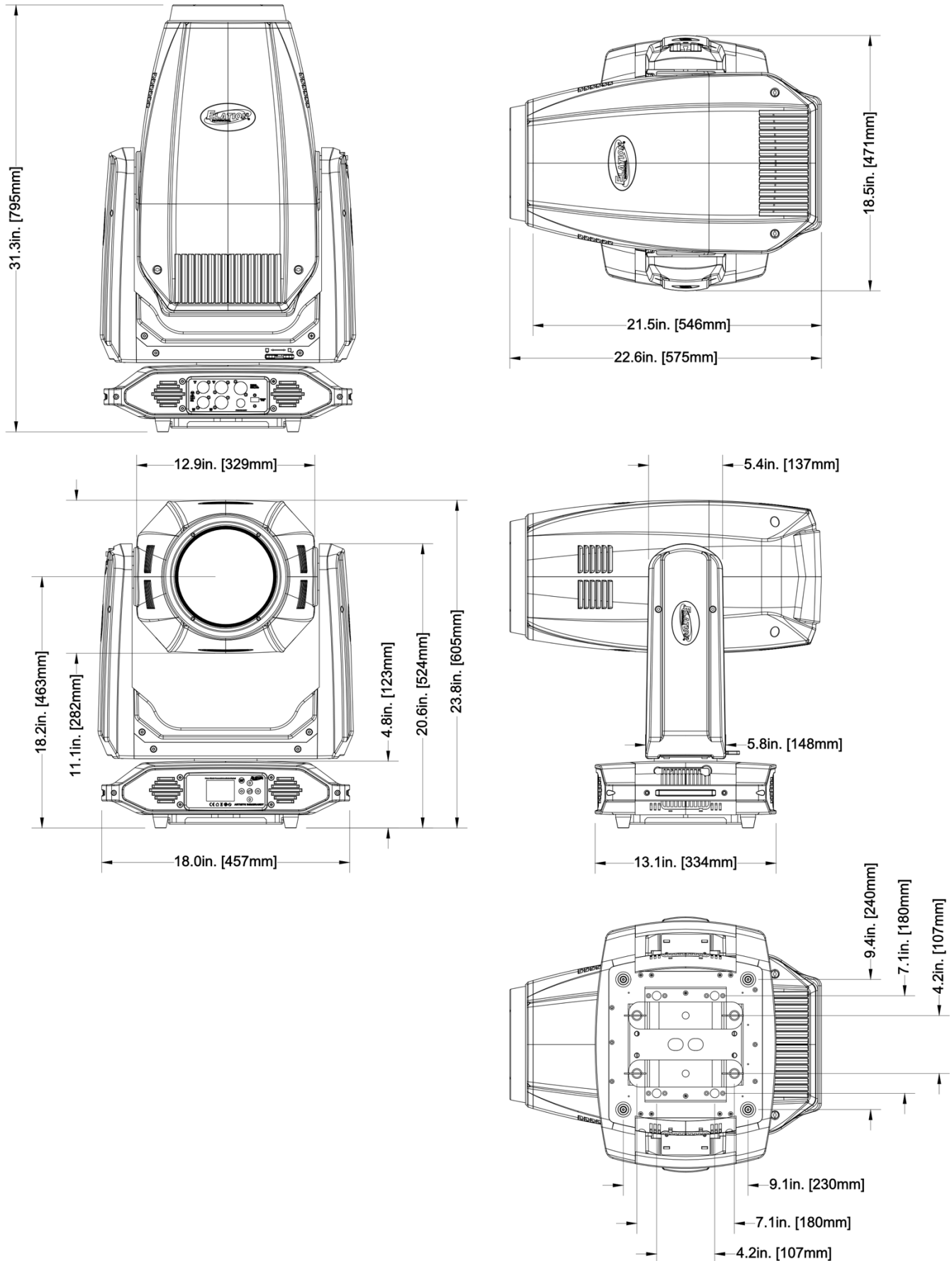
Specifications and documentation subject to change without notice.

DIMENSIONAL DRAWINGS W/FRESNEL LENS



Specifications and improvements in the design of this unit and this manual are subject to change without notice.

DIMENSIONAL DRAWINGS W/PC LENS (OPTIONAL)



Specifications and improvements in the design of this unit and this manual are subject to change without notice.

OPTIONAL ACCESSORIES

SKU (USA)	SKU (EU)	ITEM
ARPCL1	1237000248	PC Lens
TRIGGER CLAMP		Heavy Duty Wrap Around Hook Style Clamp
AC5PDMX5PRO		5 ft. (1.5m) 5pin PRO DMX Cable
CAT6PRO5		5 ft. (1.5m) CAT6 Ethernet. Cable
NEU096		5 ft. (1.5m) Locking Power-Link Cable
		Additional Cable Lengths Available

FCC STATEMENT

This device complies with Part 15 of the FCC Rules. Operation is subject to the following two conditions: (1) this device may not cause harmful interference, and (2) this device must accept any interference received, including interference that may cause undesired operation.

FCC RADIO FREQUENCY INTERFERENCE WARNINGS & INSTRUCTIONS

This product has been tested and found to comply with the limits as per Part 15 of the FCC Rules. These limits are designed to provide reasonable protection against harmful interference in a residential installation. This device uses and can radiate radio frequency energy and, if not installed and used in accordance with the included instructions, may cause harmful interference to radio communications. However, there is no guarantee that interference will not occur in a particular installation. If this device does cause harmful interference to radio or television reception, which can be determined by turning the device off and on, the user is encouraged to try to correct the interference by one or more of the following methods:

- Reorient or relocate the device.
- Increase the separation between the device and the receiver.
- Connect the device to an electrical outlet on a circuit different from which the radio receiver is connected.
- Consult the dealer or an experienced radio/TV technician for help.

Europe Energy Saving Notice

Energy Saving Matters (EuP 2009/125/EC)

Saving electric energy is a key to help protecting the environment. Please turn off all electrical products when they are not in use. To avoid power consumption in idle mode, disconnect all electrical equipment from power when not in use. Thank you.

